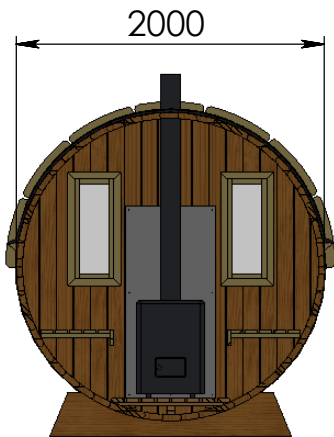
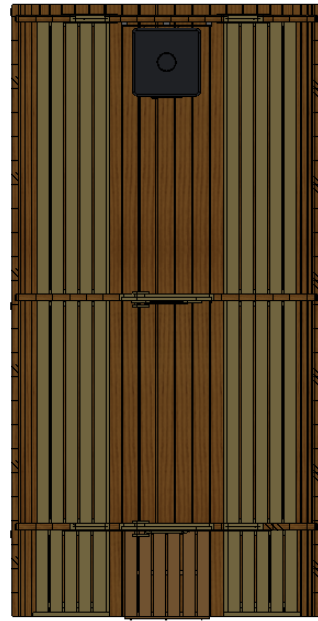
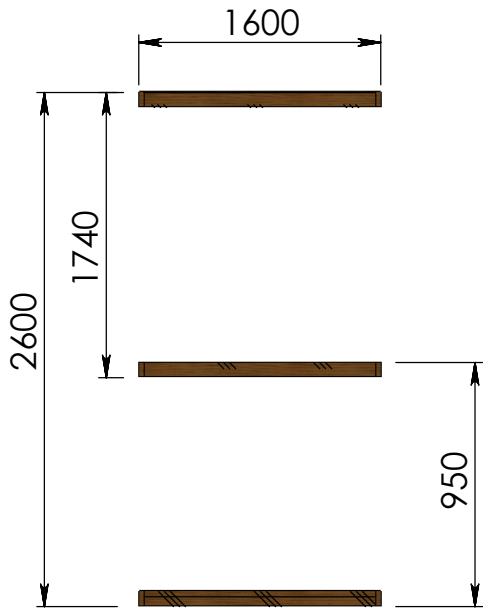
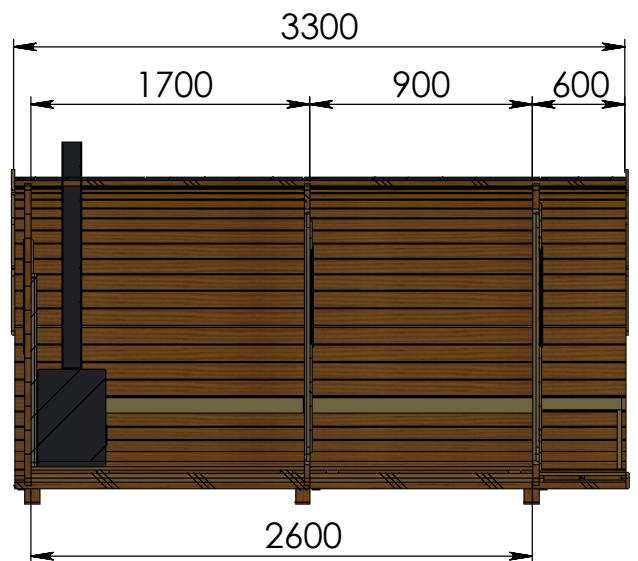
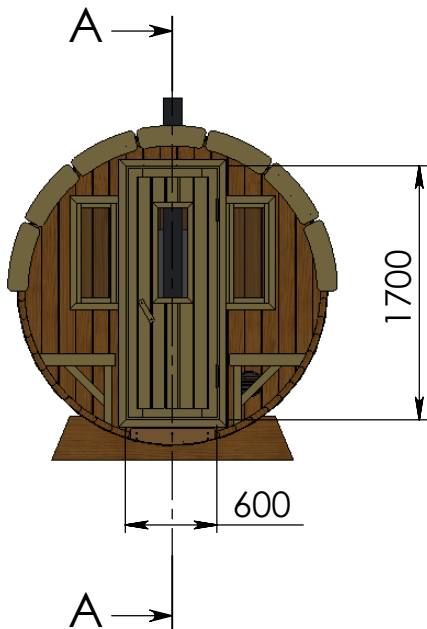
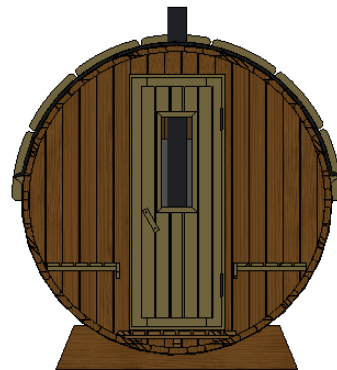


# SAUN 330



**WEIGHT 880 kg**



**SECTION A-A**